

lifgo® SVZ • Technical Data

lifgo® SVZ Series • Technical Data



lifgo® SVZ



lifgo® linear SVZ

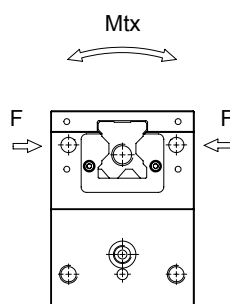
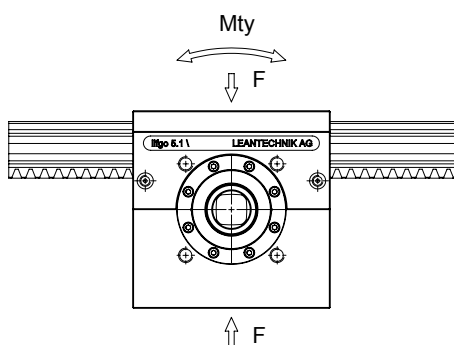
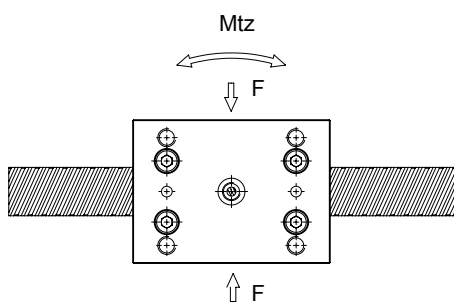


lifgo® double SVZ



lifgo® linear double SVZ

Make sure that the article number refers to the correct pinion shaft version.



lifgo® SVZ • Technical Data

- ❗ The technical data on this page apply to all versions of the lifgo® SVZ-Series (lifgo® SVZ, lifgo® linear SVZ, lifgo® doppel SVZ, lifgo® linear doppel SVZ).
- ❗ The breakaway force for new, unlubricated gear rack guides is 30N per lifgo® unit. This value drops to near zero after the run-in phase.
- ❗ The breakaway force of hardened gear racks is approximately 80N.
- ❗ The pretensioning of guide cars is 2%.

lifgo® SVZ-Serie technical data		Einheit	5.1	5.3	5.4
Lifting Force	F_{max}	N	3400	14400	22600
Lifting Speed	v_{max}	m/s	3	3	3
Acceleration	a_{max}	m/s ²	50	50	50
Torque	M_{max}	Nm	67,15	428,40	898,35
Pitch diameter	$\varnothing T_k$	mm	39,5	59,5	79,5
Gear ratio	Hub	mm/360°	124,0929	186,9248	249,7566
Efficiency	h		0,92	0,92	0,92
Temperature resistance	t	°C	+80	+80	+80
Static torque	$M_{tx stat.}$	Nm	760	4400	5500
Dynamic torque	$M_{tx dyn.}$	Nm	390	2200	2800
	$M_{ty stat.}$	Nm	650	3300	3300
	$M_{ty dyn.}$	Nm	330	1600	1600
	$M_{tz stat.}$	Nm	650	3300	3300
	$M_{tz dyn.}$	Nm	330	1600	1600
Static load ratings	F stat.	N	51200	161400	161400
Dynamic load ratings	F dyn.	N	25900	79600	79600